



SERIE 64

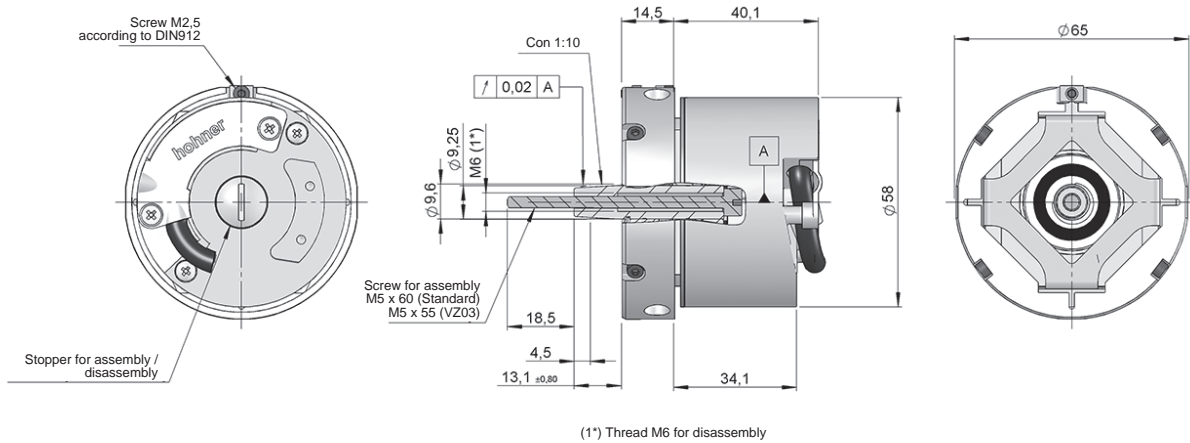
CONIC SHAFT INCREMENTAL ENCODER FOR INDUSTRIAL APPLICATIONS

- Resolution up to 10.000 pulses per turn
- External diameter 58 mm
- Conic shaft 1:10
- Protection class IP54 according to DIN EN 60529
- Anti-rotation system through flexible flange, pin torque support or expanding coupling
- Connection by cable (other cable length available)



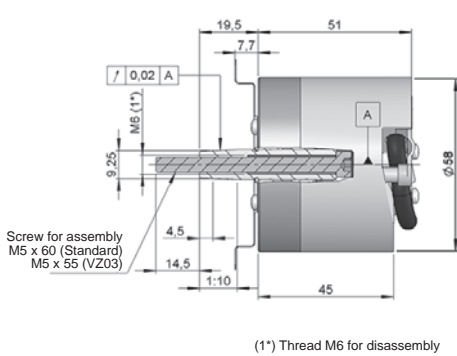
Optical Encoder Incremental Encoder High shaft load capacity Vibration and shock resistant IP54 Temperature range Express Delivery

Expanding coupling (90.1100)



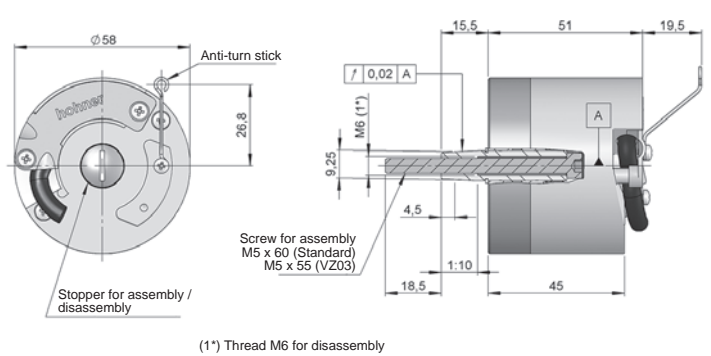
Drawing conic shaft 1:10, anti-rotation system type 0, connection type 1

Flexible flange (90.1027)



Drawing conic shaft 1:10, anti-rotation system type 1, connection type 1

Anti-turn stick (90.1041)



Drawing conic shaft 1:10, anti-rotation system type 2, connection type 1



SERIE 64

CONIC SHAFT INCREMENTAL ENCODER FOR INDUSTRIAL APPLICATIONS

REFERENCE							Reference example: 64-11111-1024	
Serie	Shaft	Anti-rotation system	Output signals	Connection	Power Supply / Electronic output	Pulses number	Special customer	
64 -	<input type="checkbox"/>	<input type="checkbox"/>	<input type="checkbox"/>	<input type="checkbox"/>	<input type="checkbox"/> -	<input type="checkbox"/> <input type="checkbox"/> <input type="checkbox"/> <input type="checkbox"/> <input type="checkbox"/> <input type="checkbox"/>	<input type="checkbox"/> <input type="checkbox"/> <input type="checkbox"/> <input type="checkbox"/> <input type="checkbox"/>	
	1. Conic 1:10	0. Expanding coupling 90.1100 1. Flexible flange 90.1027 2. Anti-turn stick 90.1041 3. None (*)	1. A \tilde{A} +B \tilde{B} +0 $\tilde{0}$ 2. A \tilde{A} +B \tilde{B}	1. Helicoidal cable	0. 11...30 VDC / NPN Open collector 11...30 VDC 1. 11...30 VDC / Line driver differential Push-Pull 11...30 VDC 2. 5 VDC / RS422 5 VDC (compatible TTL) 6. 11...30 VDC / RS422 5 VDC (compatible TTL)		VT00. -40°C VZ03. Screw for assembly M5x55 95.0004099	

Order your reference Step file 3D
info@encoderhohner.com
service available in 24 h

(*) Anti-rotation system type 0 (Expanding coupling 90.1100) and 1 (Flexible flange 90.1027) supplied assembled.
Anti-rotation system type 2 (Anti-turn stick 90.1041) supplied disassembled and includes the screws required for assembly.
Other required anti-rotation systems are not supplied assembled. All systems available in the sections "MOUNTING ACCESSORIES".

 Assembly and disassembly instruction manual available in:
www.encoderhohner.com/product/serie-64/

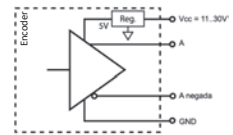
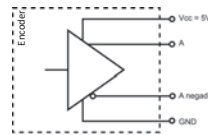
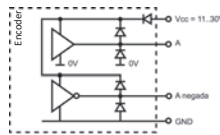
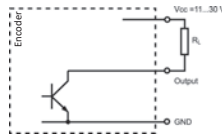
MECHANICAL SPECIFICATIONS

Materials	Housing: Aluminium Flange: Aluminium Shaft: Stainless Steel
Bearings	Ballraces
Bearings lifetime	1x10 ¹⁰ rev.
Housing fixing	Expanding coupling 90.1100 (assembled) Flexible flange 90.1027 (assembled) Anti-turn stick 90.1041 (self-assembly kit included)
Permitted misalignment	±0.5 mm axial (90.1100) ±0.5 mm axial, ±0.3 mm radial (90.1027, 90.1041)
Maximum number of revolutions permitted mechanically	6000 rpm
Protection against dust and splashes according to DIN EN 60529	IP54
Rotor inertia moment	≤ 3x10 ⁻⁶ Kg·m ²
Starting torque at 20°C (68°F)	≤ 0,02 Nm
Maximum load permitted on axial shaft	40 N
Maximum load permitted on radial shaft	60 N
Weight aprox.	0,5 Kg
Operating temperature range	-20°C to +80°C - Standard -40°C to +80°C - Special Customer VT00
Vibration according to DIN EN 60068-2-6	100 m/s ² (10Hz...2000Hz)
Shock according to DIN EN 60068-2-27	1000 m/s ² (6ms)
Maximum pulses per turn	10.000
Helicoidal cable	2 meters cable (other cable lengths available or connector mounted at the end of the cable, upon request)

SERIE 64

CONIC SHAFT INCREMENTAL ENCODER FOR INDUSTRIAL APPLICATIONS

OUTPUT SIGNALS



OUTPUT CIRCUIT	NPN Open Collector	Push-Pull Differential	RS422 (TTL compatible)	RS422 (TTL compatible)
Reference code	0	1	2	6
Power supply	11...30 VDC	11...30 VDC	5 VDC ±10%	11...30 VDC
Output voltage	11...30 VDC	11...30 VDC	5 VDC	5 VDC
Consumption	40 mA	Typical: 45 mA Max: 150 mA	Typical: 70 mA Max: 150 mA	Typical: 80 mA Max: 160 mA
Max. load capability / channel	40 mA	±30 mA	±20 mA	±20 mA
Length of cable allowed	50 m (24 VDC)	100 m	1200 m	1200 m
"Low" signal level	VOL < 0.4 VDC (24 VDC)	VOL < 2.5 VDC	VOL < 0.5 VDC	VOL < 0.5 VDC
"High" signal level	VOH > 22 VDC (24 VDC)	VOH > VCC - 3 VDC	VOH > 2.5 VDC	VOH > 2.5 VDC
Frequency	100 kHz	200 kHz	300 kHz	300 kHz
Short circuit protection	Not permanent	Yes	Yes	Yes
Protection polarity inversion	Yes	Yes	Not permanent	Yes

Channel B leads (90° electric) channel A, view from the shaft, shaft rotating clockwise

CONNECTION



	Cable 3x2x0,14+2x0,34 95.0008003
GND	Black
VCC	Red
A	Yellow
B	Green
~A	Brown
~B	Blue
0 (reference)	Grey
~0	Orange
Shield*	Shield

(*) Shield connected to the encoder housing. It is recommended to connect the end of the wire shield to the ground of the equipment where the encoder is connected.

SERIE 64

CONIC SHAFT INCREMENTAL ENCODER FOR INDUSTRIAL APPLICATIONS

ACCESSORIES

Screw for assembly (included)



95.0004105
M5x60
(Standard)



95.0004099
M5 x 55
(Special Customer VZ03)

Screw for disassembly (not included)



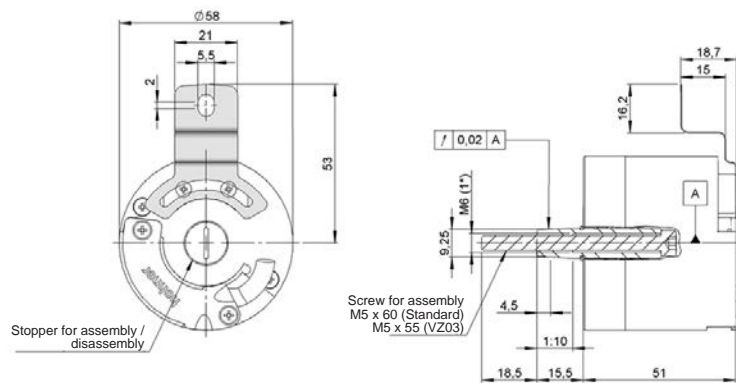
95.0004106
M6x55



95.0004420
Grub screw M5 x 20
45H DIN913

ANTI-ROTATION SYSTEMS DIMENSIONS

Flexible flange 90.1046

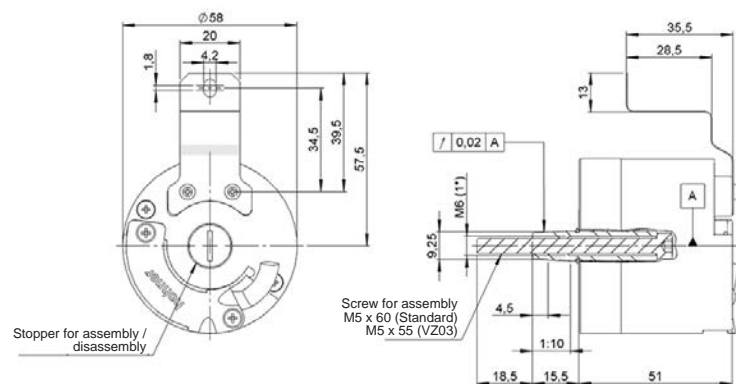


90.1046



(1*) Thread M6 for disassembly

Flexible flange 90.1082



90.1082



(1*) Thread M6 for disassembly