

GBA2S

Blind hollow shaft up to $\varnothing 15$ mm / SSI

Optical singleturn encoders up to 19 bit

Overview

- High resolution encoder singleturn / SSI
- Optical sensing method
- Resolution: max. 19 bit
- Blind hollow shaft $\varnothing 12 \dots \varnothing 15$ mm
- Electronic setting of zero point
- Counting direction input
- Suitable for high positive, negative accelerations
- Available with additional incremental output



Technical data

Technical data - electrical ratings

Voltage supply	10...30 VDC 5 VDC ± 10 %
Reverse polarity protection	Yes
Consumption w/o load	≤ 50 mA (24 VDC) ≤ 80 mA (5 VDC)
Initializing time typ.	20 ms after power on
Interface	SSI Incremental A 90° B (optional)
Function	Singleturn
Steps per revolution	≤ 524288 / 19 bit
Absolute accuracy	$\pm 0,01$ °
Sensing method	Optical
Code	Gray or binary
Code sequence	CW/CCW coded by connection
Inputs	SSI clock Control signals UP/DOWN inv. and zero
Output stages	SSI data: linedriver RS485 Diagnostic and incremental outputs
Incremental output	2048 pulses A90°B + inverted
Interference immunity	EN 61000-6-2
Emitted interference	EN 61000-6-4
Diagnostic function	Self-diagnosis

Technical data - electrical ratings

Approval UL approval / E63076

Technical data - mechanical design

Size (flange)	$\varnothing 58$ mm
Shaft type	$\varnothing 12 \dots 15$ mm (blind hollow shaft)
Protection EN 60529	IP 54 IP 65 (optional)
Operating speed	≤ 6000 rpm (mechanical) ≤ 6000 rpm (electric)
Starting torque	$\leq 0,015$ Nm (+25 °C, IP 54)
Rotor moment of inertia	20 gcm ²
Material	Housing: aluminium Flange: aluminium
Operating temperature	-25...+85 °C -40...+85 °C (optional)
Relative humidity	95 % non-condensing
Resistance	EN 60068-2-6 Vibration ± 0.75 mm - 10-58 Hz 10 g - 58-2000 Hz EN 60068-2-27 Shock 100 g, 6 ms
Weight approx.	250 g
Connection	Connector M23, 12-pin Cable 1 m

GBA2S

Blind hollow shaft up to $\varnothing 15$ mm / SSI

Optical singleturn encoders up to 19 bit

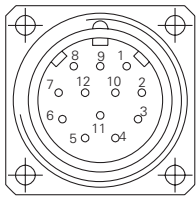
Terminal assignment

GBA2S

Connector	Core colour	Assignment
Pin 1	brown	UB
Pin 2	black	GND
Pin 3	blue	Clock+
Pin 4	beige	Data+
Pin 5	green	Zero setting
Pin 6	yellow	Data-
Pin 7	violet	Clock-
Pin 8	brown/yellow	UBminOK inv.
Pin 9	pink	UP/DOWN inv.
Pin 10-12	-	-

GBA2S with incremental tracks | SinCos

Connector	Core colour	Assignment Incremental	SinCos
Pin 1	brown	UB	UB
Pin 2	white	GND	GND
Pin 3	blue	Clock+	Clock+
Pin 4	green	Data+	Data+
Pin 5	grey	Zero setting	Zero setting
Pin 6	yellow	Data-	Data-
Pin 7	red	Clock-	Clock-
Pin 8	red/blue	Track B inv.	Cosine inv.
Pin 9	pink	UP/DOWN inv.	UP/DOWN inv.
Pin 10	violet	Track A inv.	Sine inv.
Pin 11	black	Track A	Sine
Pin 12	grey/pink	Track B	Cosine



Please use cores twisted in pairs (for example clock+ / clock-) for extension cables of more than 10 m length.

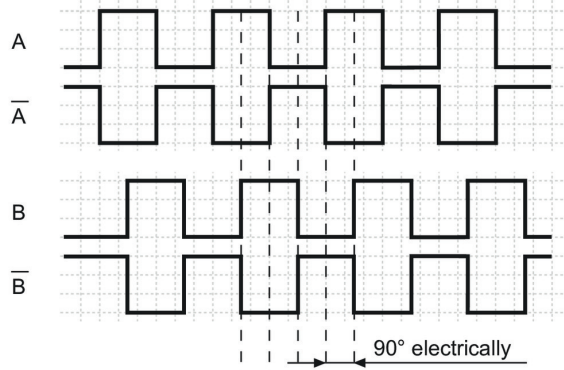
Terminal significance

UB	Encoder voltage supply.
GND	Encoder ground connection relating to UB.
Data+/Data-	Differential SSI data output.
Clock+/Clock-	Differential SSI clock input. Optocoupler or RS422 input.
Zero setting	Input for setting a zero point anywhere within the encoder resolution. The zero setting operation is triggered by a High impulse and has to be in line with the selected direction of rotation (UP/DOWN inv.). Connect to GND after setting operation for maximum interference immunity. Impulse duration ≥ 100 ms.
UBminOK inv.	Diagnostic output. Level low indicates the operating voltage has dropped below the minimum limit.
UP/DOWN inv.	UP/DOWN inv. counting direction input. This input is standard on High. UP/DOWN inv. means ascending output data with clockwise shaft rotation when looking at flange. UP/DOWN inv.-Low means ascending values with counterclockwise shaft rotation when looking at flange.
Incremental Outputs	Incremental tracks A 90° B and inverted.

Output signals

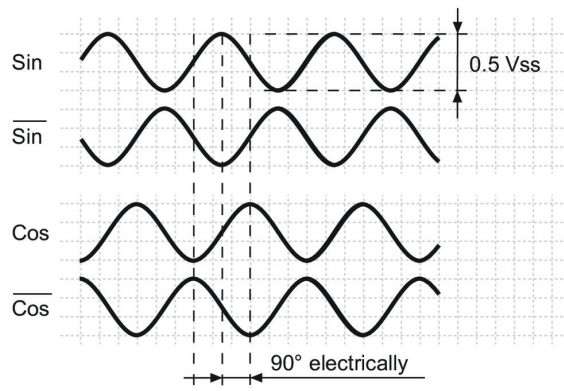
Push-pull and RS422

A leading B when rotating the shaft clockwise and looking at flange.



SinCos

Sin leading Cos when rotating the shaft clockwise and looking at flange.



GBA2S

Blind hollow shaft up to $\varnothing 15$ mm / SSI
Optical singleturn encoders up to 19 bit

Trigger level

SSI	Circuit
SSI-Clock	Optocoupler with switching current approx. 7 mA or RS422 with terminating resistor
SSI-Data	Linedriver RS485 or RS422

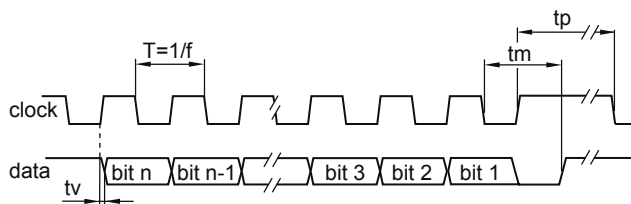
Control inputs	Input circuit
Input level High	$>0.7 U_B$
Input level Low	$<0.3 U_B$
Input resistance	10 k Ω

Diagnostic outputs or Incremental outputs	Output circuit Push-pull circuit-proof
Output level High	$>U_B - 3.5$ V (I = -20 mA)
Output level Low	<0.5 V (I = 20 mA)
Load High / Low	<20 mA

Incremental outputs	Linedriver RS422
Output level High	>2.5 V (I = -20 mA)
Output level Low	<0.5 V (I = 20 mA)
Load High / Low	<20 mA

Outputs	SinCos
Output level	0.5 V _{pp} ± 10 % (Output signals before difference formation)
Load	<10 mA

Data transfer

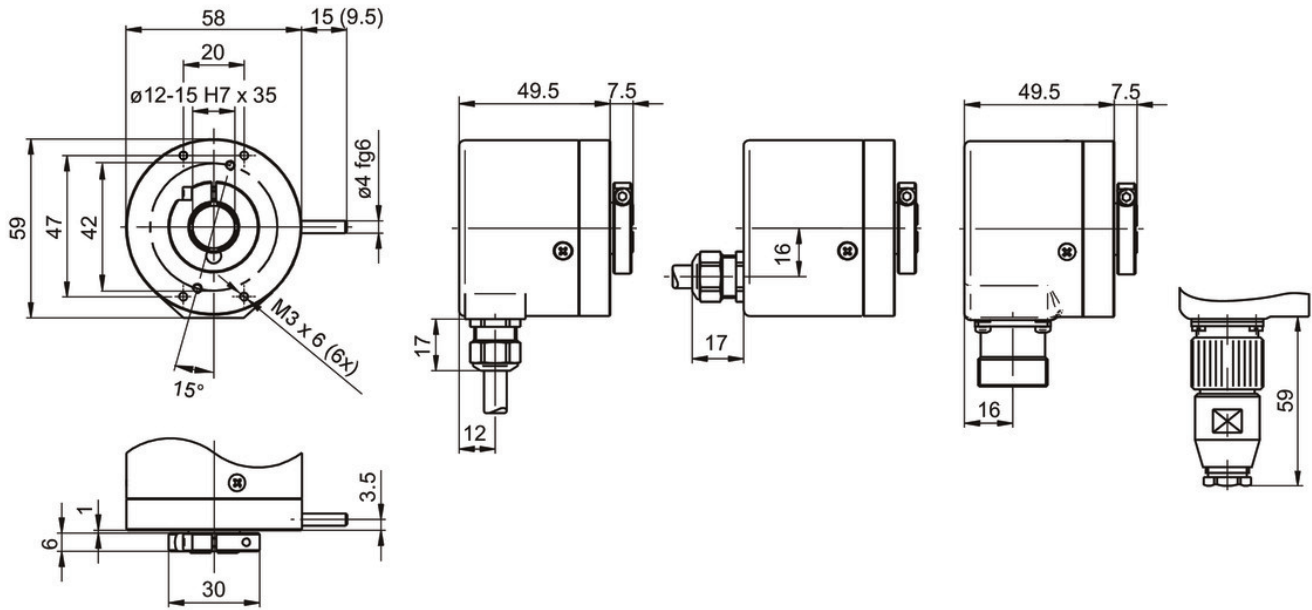


Clock frequency f	62.5...1500 kHz
Duty cycle of T	40...60 %
Delay time tv	150 ns
Monoflop time tm	26 μ s + T/2
Clock interval tp	30 μ s

GBA2S

Blind hollow shaft up to $\varnothing 15$ mm / SSI
Optical singleturn encoders up to 19 bit

Dimensions



GBA2S

Blind hollow shaft up to ø15 mm / SSI

Optical singleturn encoders up to 19 bit

Ordering reference

Product	GBA2S	.	#	###	#	##
Blind hollow shaft						
ø12 mm, without pin						0
ø12 mm, pin 15 mm						1
ø12 mm, pin 9.5 mm						B
ø14 mm, without pin						4
ø14 mm, pin 15 mm						5
ø14 mm, pin 9.5 mm						F
ø15 mm, pin 15 mm / IP 54						U
ø15 mm, without pin / IP 65						W
Voltage supply / Signals						
10...30 VDC, Gray code 18 bit						10
5 VDC, Gray code 18 bit						11
10...30 VDC, binary code 18 bit						12
5 VDC, binary code 18 bit						13
10...30 VDC, Gray code 17 bit						20
5 VDC, Gray code 17 bit						21
10...30 VDC, binary code 17 bit						22
5 VDC, binary code 17 bit						23
10...30 VDC, Gray code 19 bit						30
10...30 VDC, binary code 19 bit						32
Connection						
Connector M23, 12-pin, radial						A1
Connector M23, 12-pin, radial, for incremental output 14/16/17						A5
Cable 1 m, axial						11
Cable 1 m, radial						21
Cable 1 m, axial, for incremental output 14/16/17						71
Cable 1 m, radial, for incremental output 14/16/17						81
Pulses / Incremental output						
No incremental output						05
2048 pulses / push-pull						14
2048 pulses / RS422						16
2048 periods / SinCos ⁽¹⁾						17

(1) On request

Accessories
Mounting accessories

10139345	Torque support by rubber buffer for encoders with 15 mm pin (Z 119.041)
11003562	Spring coupling for encoders with $\varnothing 58$ mm housing, hole distance 63 mm (Z 119.082)
11034121	Spring coupling for encoders with $\varnothing 58$ mm housing, hole distance 68 mm (Z 119.073)
10165157	Spring coupling for encoders with $\varnothing 58$ mm housing, hole distance 73 mm (Z 119.072)
11066120	Mounting kit 056
11034106	Spring coupling for motor's fan guard (Z 119.053)
11034123	Spring coupling for one-side attachment, length 115 mm (Z 119.076)
11098229	Clamping ring set 16/30x6 - stainless steel (Z 119.092)

Connectors and cables

10138559	Female connector M23, 12-pin, 2 m cable (Z 130.003)
11034156	Female connector M23, 12-pin, 3 m cable (Z 130.004)
10126594	Female connector M23, 12-pin, 5 m cable (Z 130.005)
10129757	Female connector M23, 12-pin, 10 m cable (Z 130.007)
11042991	Female connector M23, 12-pin, 15 m cable (Z 130.M15)
11034344	Female connector M23, 12-pin, without cable (incr.) (Z 182.001)
11034345	Female connector M23, 12-pin, 2 m (incr.) (Z 182.003)
11076757	Female connector M23, 12-pin, 8 m (incr.) (Z 182.M08)
11034347	Female connector M23, 12-pin, 10 m (incr.) (Z 182.007)
11051323	Female connector M23, 12-pin, 15 m (incr.) (Z 182.M15)