

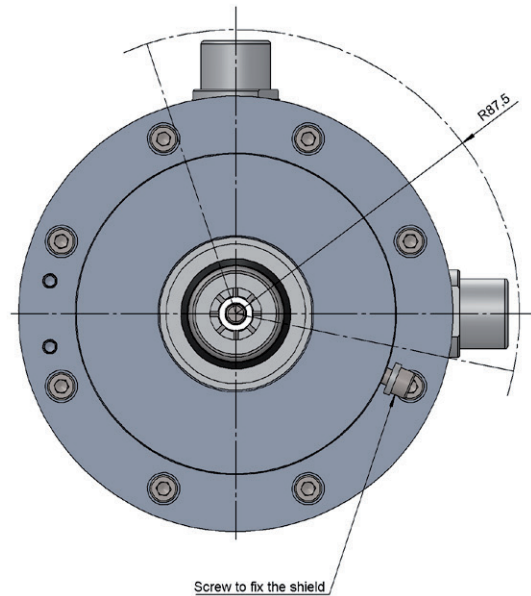
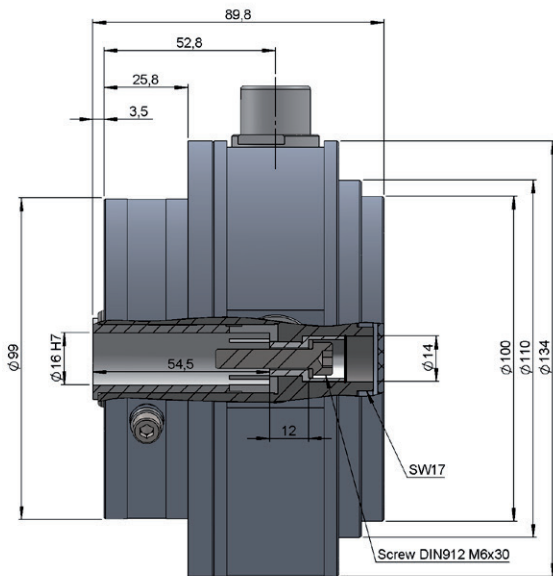


SERIE 130M

MAGNETIC INCREMENTAL ENCODER FOR HEAVY DUTY INDUSTRIAL APPLICATIONS

- Resolution up to 2.048 pulses per turn
- External diameter 134 mm
- Hollow shaft from Ø 16 to 36 mm
- Isolated shaft option
- Protection class IP68 according to DIN EN 60529
- Oil-immersion operation up to 90°C / 10 bar
- HTL and TTL output signals available
- Redundant magnetic sensing
- Solid aluminium housing for high vibration and shock resistance

Magnetic Encoder	Incremental Encoder	Subsea Encoder	High shaft load capacity	Vibration and shock resistant	IP 68	Express Delivery



Drawing hollow shaft type 16, connection type 1

REFERENCE

Reference example: 130M-1-016211-2048

Serie	Immersion type	Anti-rotation system	Hollow shaft	Output signals	Connection	Power Supply / Electronic output	Pulses number	Special customer
130M -	<input type="checkbox"/> -	<input type="checkbox"/>	<input type="checkbox"/> <input type="checkbox"/>	<input type="checkbox"/>	<input type="checkbox"/>	<input type="checkbox"/> -	<input type="checkbox"/> <input type="checkbox"/> <input type="checkbox"/> <input type="checkbox"/> <input type="checkbox"/>	<input type="checkbox"/> <input type="checkbox"/> <input type="checkbox"/> <input type="checkbox"/> <input type="checkbox"/>
	1. Hydraulic Oil	0. None (***)	16. Ø 16 mm Isolated (**)	1. AÃ+BB+00̃ 2. Redundant AÃ+BB+00̃	1. Connector 8p IP68 Hermetic sealing	1. 9...30 VDC / HTL 2. 5 VDC ±5% / TTL RS422	(*)	

Order your reference Step file 3D

info@encoderhohner.com
service available in 24 h

(*) 128, 256, 512, 1024, 2048

(**) Hollow shaft diameter up to 36 mm available, upon request (up to 31 mm with shaft isolation).

(***) Our engineering department adapts to the specific needs of assembly and anti-rotation systems.

Assembly and disassembly instruction manual available in: www.encoderhohner.com/product/serie-130m/



SERIE 130M

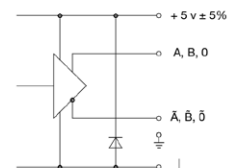
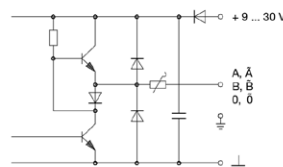
MAGNETIC INCREMENTAL ENCODER FOR HEAVY DUTY INDUSTRIAL APPLICATIONS

MECHANICAL SPECIFICATIONS

Materials	Housing: Anodized aluminium 20 µm Shaft: Stainless Steel AISI316
Bearings	Dual set of hybrid bearings with ceramic balls
Immersion type	Hydraulic oil*
Shaft fixing	Screw M6x30
Hollow shaft diameter	16 to 36 mm (up to 31 mm with shaft isolation)
Maximum number of revolutions permitted mechanically	2800 rpm
Protection against dust and splashes according to DIN EN 60529	IP68
Rotor inertia moment	4,7 Kgcm ²
Starting torque at 20°C (68°F)	≈ 0,5 Nm
Maximum load permitted on axial shaft	150 N
Maximum load permitted on radial shaft	200 N
Weight	≈ 2,4 Kg
Operating temperature range	-20°C to +90°C
Vibration according to DIN EN 60068-2-6	150 m/s ² (15g) (10Hz...2000Hz)
Shock according to DIN EN 60068-2-27	2000 m/s ² (12ms)
Maximum pulses per turn	128, 256, 512, 1024, 2048
Connection	Industrial connectors 8p (Female contacts) IP68; Hermetic sealing Male connector not included

(*) Shell Tellus S2 V 46

OUTPUT SIGNALS



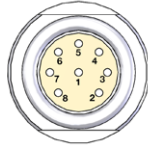
OUTPUT CIRCUIT	HTL	TTL RS422
Reference code	1	2
Power supply	9...30 VDC	5 VDC ± 5%
Consumption (without load)	≤ 90 mA (each system)	≤ 90 mA (each system)
Frequency	100 kHz	100 kHz
Channel A leads (90° electric) channel B, view from the shaft, shaft rotating clockwise		

The encoder complies with the Electromagnetic Compatibility standards (EMC) of emission in residential, commercial and light industry environments (UNE-EN 61000-6-3:2007 + A1: 2012) and immunity in industrial environments (UNE-EN 61000-6-2:2006 + ERR:2009).

SERIE 130M

MAGNETIC INCREMENTAL ENCODER FOR HEAVY DUTY INDUSTRIAL APPLICATIONS

CONNECTION



	Industrial Connector 8p (Female contacts) IP68 Hermetic sealing
GND	2
VCC	1
A	7
B	3
\tilde{A}	5
\tilde{B}	6
0 (reference)	4
$\tilde{0}$	8

ACCESSORIES

(not included)



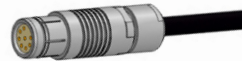
A1

89.060.022.080.00.5
Pre-assembled cable with male connectors (0,5 m)



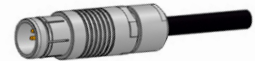
A2

95.0007370
Bulkhead feedthrough connector (Female-Male)



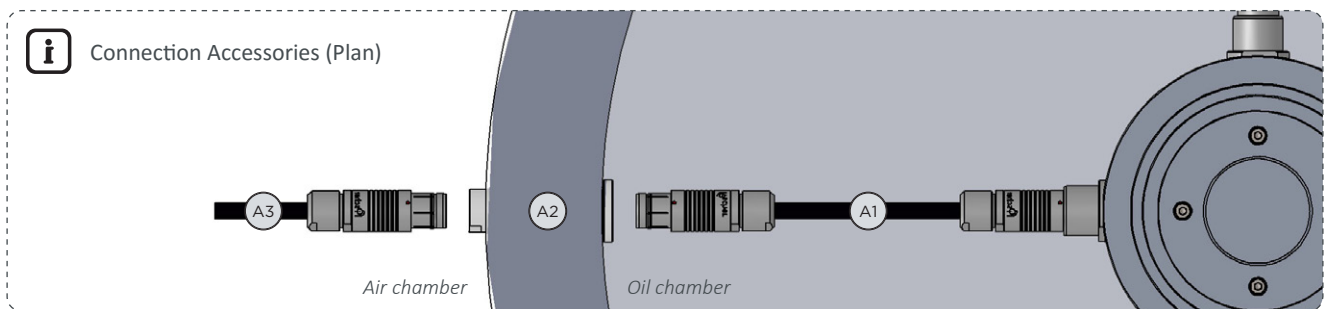
A3

89.061.022.080.00.5
Pre-assembled cable with female connector (0,5 m)



A4

89.062.022.080.XX.X
Pre-assembled cable with male connector



A4 Pre-assembled cable with male connector available, according to specific needs of assembly.