

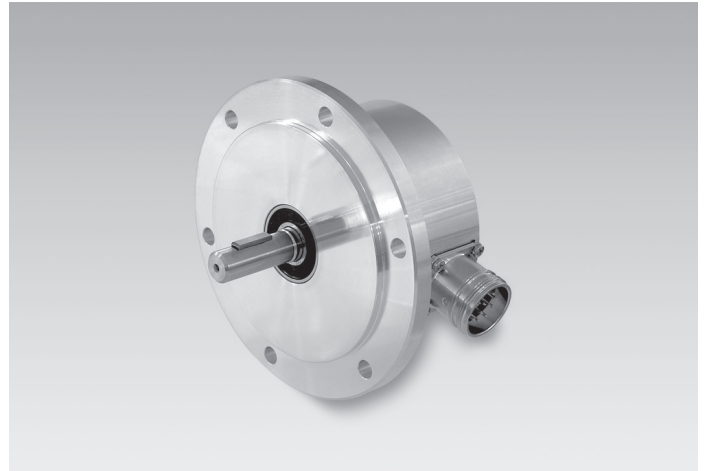
ITD 4 B10 Y 1

Solid shaft $\varnothing 11$ mm with EURO flange

5...60 pulses per revolution

Overview

- Encoder with solid shaft $\varnothing 11$ mm
- Max. 60 pulses per revolution
- Optical sensing method
- Centering alignment $\varnothing 85$ mm, mounting screw hole circle $\varnothing 100$ mm
- Industrial standard with centering flange
- TTL or HTL output signals
- Flange connector radial or axial



Technical data

Technical data - electrical ratings

Voltage supply	5 VDC $\pm 5\%$ 8...30 VDC
Reverse polarity protection	Yes
Consumption w/o load	≤ 100 mA
Pulses per revolution	5 ... 60
Reference signal	Zero pulse, width 90°
Sensing method	Optical
Output frequency	≤ 60 kHz
Output signals	A, B, N + inverted
Output stages	TTL linedriver (short-circuit proof) HTL push-pull (short-circuit proof)
Interference immunity	DIN EN 61000-6-2
Emitted interference	DIN EN 61000-6-3

Technical data - mechanical design

Size (flange)	$\varnothing 115$ mm
---------------	----------------------

Technical data - mechanical design

Shaft type	$\varnothing 11$ mm solid shaft
Admitted shaft load	≤ 40 N axial ≤ 60 N radial
Flange	EURO flange B10
Protection DIN EN 60529	IP 65
Operating speed	≤ 12000 rpm
Starting torque	$\leq 0,012$ Nm (+20 °C)
Material	Housing: aluminium Shaft: stainless steel
Operating temperature	-20...+70 °C
Relative humidity	90 % non-condensing
Resistance	DIN EN 60068-2-6 Vibration 10 g, 55-2000 Hz DIN EN 60068-2-27 Shock 100 g, 11 ms
Connection	Connector M23 type 2, 12-pin
Weight approx.	850 g

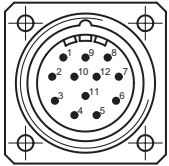
ITD 4 B10 Y 1

Solid shaft $\varnothing 11$ mm with EURO flange

5...60 pulses per revolution

Terminal assignment

Connector	Assignment
Pin 5	Track A
Pin 6	Track A inv.
Pin 8	Track B
Pin 1	Track B inv.
Pin 3	Track N
Pin 4	Track N inv.
Pin 12	UB
Pin 10	GND
Pin 2	UB-Sense
Pin 11	GND-Sense
Pin 9	–
Pin 7	–



Trigger level

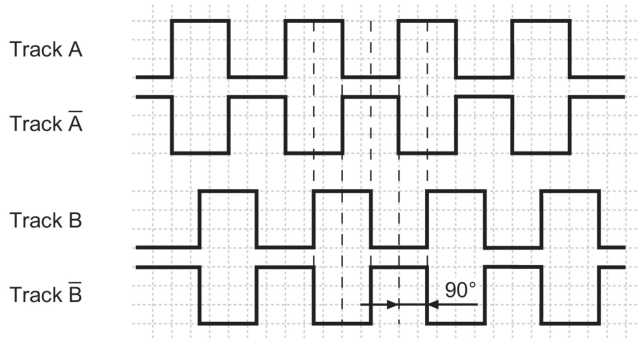
Outputs	Linedriver
Output level High	≥ 2.4 V
Output level Low	≤ 0.5 V
Load	≤ 70 mA

Outputs	Push-pull short-circuit proof
Output level High	$\geq UB - 3$ V
Output level Low	≤ 1.5 V
Load	≤ 70 mA

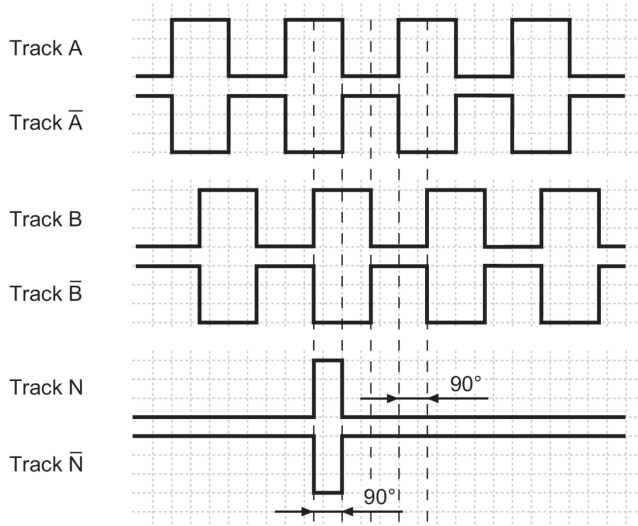
Output signals

Clockwise rotation when looking at the mounting side.

BI-Output signals



NI-Output signals

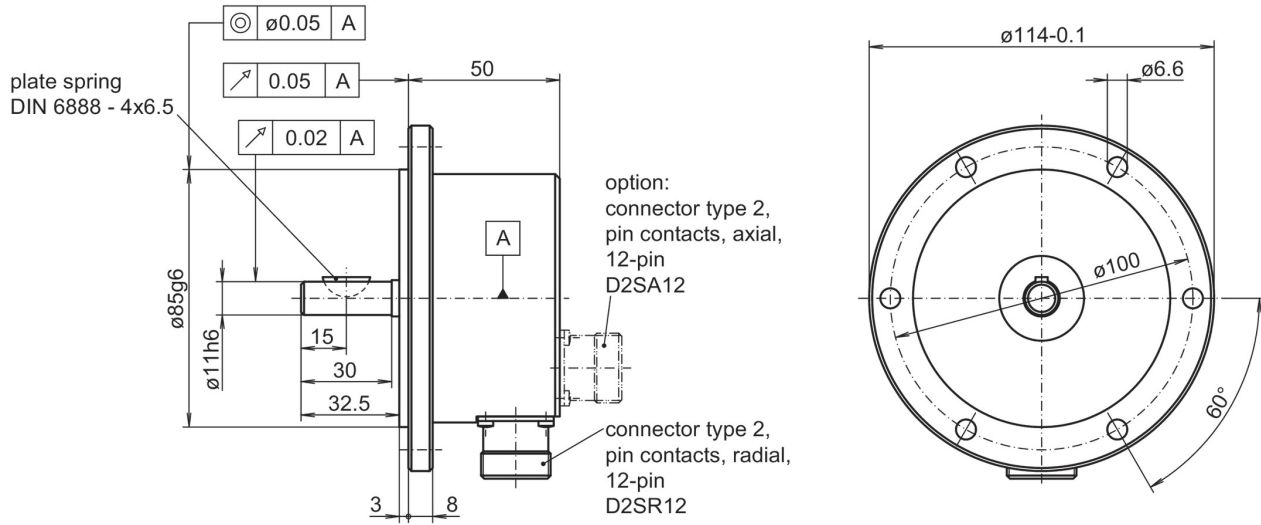


ITD 4 B10 Y 1

Solid shaft $\varnothing 11$ mm with EURO flange

5...60 pulses per revolution

Dimensions



ITD 4 B10 Y 1

 Solid shaft $\varnothing 11$ mm with EURO flange

5...60 pulses per revolution

Ordering reference

	ITD 4 B10 Y 1	#####	#	####	#####	S	11	IP65
Product	ITD 4 B10 Y 1							
Pulse number								
5		5						
16		16						
32		32						
60		60						
Voltage supply / signals								
5 VDC / TTL level, linedriver			T					
8...30 VDC / HTL level, push-pull			H					
8...30 VDC / TTL level, linedriver			R					
Output signals								
A, A inv, B, B inv				BI				
A, A inv, B, B inv, N, N inv				NI				
Connection								
Flange connector type 2, pin contacts, radial, 12-pin					D2SR12			
Flange connector type 2, pin contacts, axial, 12-pin					D2SA12			
Operating temperature								
-20...+70 °C						S		
Flange / Solid shaft								
EURO flange B10 / $\varnothing 11$ mm							11	
Protection								
IP 65								IP65

Accessories
Connectors and cables

11072792 Connector M23 - S2BG12, 1 m cable (incremental)