

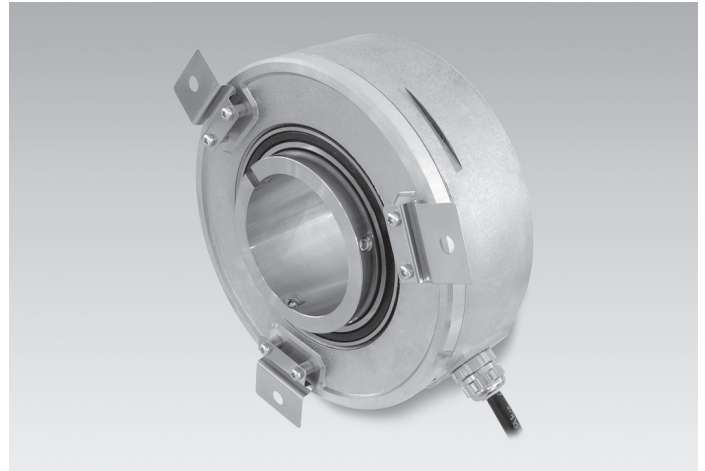
ITD 70 A 4 Y 2

Through hollow shaft $\varnothing 38$ to $\varnothing 65$ mm

1000...2500 pulses per revolution

Overview

- Encoder with through hollow shaft max. $\varnothing 65$ mm
- Max. 2500 pulses per revolution
- Optical sensing method
- Mounting by torque support
- Mounting hole circle $\varnothing 164$ mm
- TTL or HTL output signals
- Cable output radial



Technical data

Technical data - electrical ratings

Voltage supply	5 VDC $\pm 5\%$ 8...30 VDC
Reverse polarity protection	Yes
Consumption w/o load	≤ 100 mA
Pulses per revolution	1000 ... 2500
Reference signal	Zero pulse, width 90°
Sensing method	Optical
Output frequency	≤ 120 kHz
Output signals	A, B, N + inverted
Output stages	TTL linedriver (short-circuit proof) HTL push-pull (short-circuit proof)
Interference immunity	DIN EN 61000-6-2
Emitted interference	DIN EN 61000-6-3

Technical data - mechanical design

Size (flange)	$\varnothing 150$ mm
Shaft type	$\varnothing 38$... $\varnothing 65$ mm (through hollow shaft)
Mounting kit	051
Protection DIN EN 60529	IP 54
Operating speed	≤ 4000 rpm
Material	Aluminium, bare Shaft: stainless steel
Operating temperature	-20 ... $+70$ °C
Relative humidity	90 % non-condensing
Resistance	DIN EN 60068-2-6 Vibration 10 g, 55-2000 Hz DIN EN 60068-2-27 Shock 100 g, 11 ms
Connection	Cable 1 m
Weight approx.	2500 g

Optional

- Cable with connector

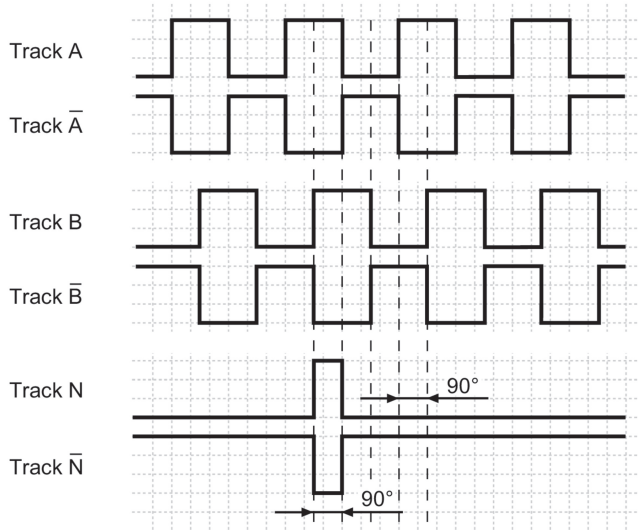
Terminal assignment

Core colour	Assignment
green	Track A
brown	Track A inv.
grey	Track B
black	Track B inv.
pink	Track N
white	Track N inv.
red	UB
blue	GND
yellow	UB-Sense
violet	GND-Sense
transparent	Shield/Housing

Output signals

Clockwise rotation when looking at the mounting side.

NI-Output signals



Trigger level

Outputs	Linedriver
Output level High	≥ 2.4 V
Output level Low	≤ 0.5 V
Load	≤ 70 mA

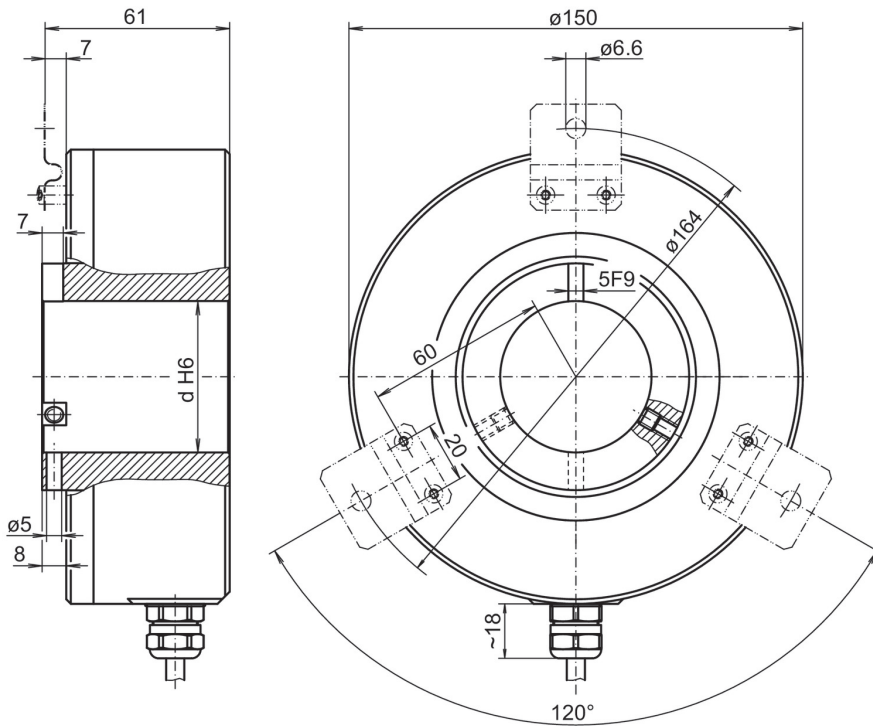
Outputs	Push-pull short-circuit proof
Output level High	$\geq UB - 3$ V
Output level Low	≤ 1.5 V
Load	≤ 70 mA

ITD 70 A 4 Y 2

Through hollow shaft $\varnothing 38$ to $\varnothing 65$ mm

1000...2500 pulses per revolution

Dimensions



ITD 70 A 4 Y 2

 Through hollow shaft $\varnothing 38$ to $\varnothing 65$ mm

1000...2500 pulses per revolution

Ordering reference

		ITD 70 A 4 Y 2	#####	#	NI	KR1	S	##	IP54	051
Product		ITD 70 A 4 Y 2								
		ITD 70 A 4 Y 2								
Pulse number										
	1000		1000							
	1024		1024							
	2048		2048							
	2500		2500							
Voltage supply / signals										
	5 VDC / TTL level, linedriver				T					
	8...30 VDC / HTL level, push-pull				H					
	8...30 VDC / TTL level, linedriver				R					
Output signals										
	A, A inv, B, B inv, N, N inv				NI					
Connection										
	Cable 1 m, radial					KR1				
Operating temperature										
	-20...+70 °C						S			
Through hollow shaft										
	$\varnothing 40$ mm							40		
	$\varnothing 42$ mm							42		
	$\varnothing 45$ mm							45		
	$\varnothing 50$ mm							50		
	$\varnothing 55$ mm							55		
	$\varnothing 60$ mm							60		
	$\varnothing 65$ mm							65		
Protection										
	IP 54								IP54	
Mounting kit										
	Mounting kit 051									051

Other diameters on request.